

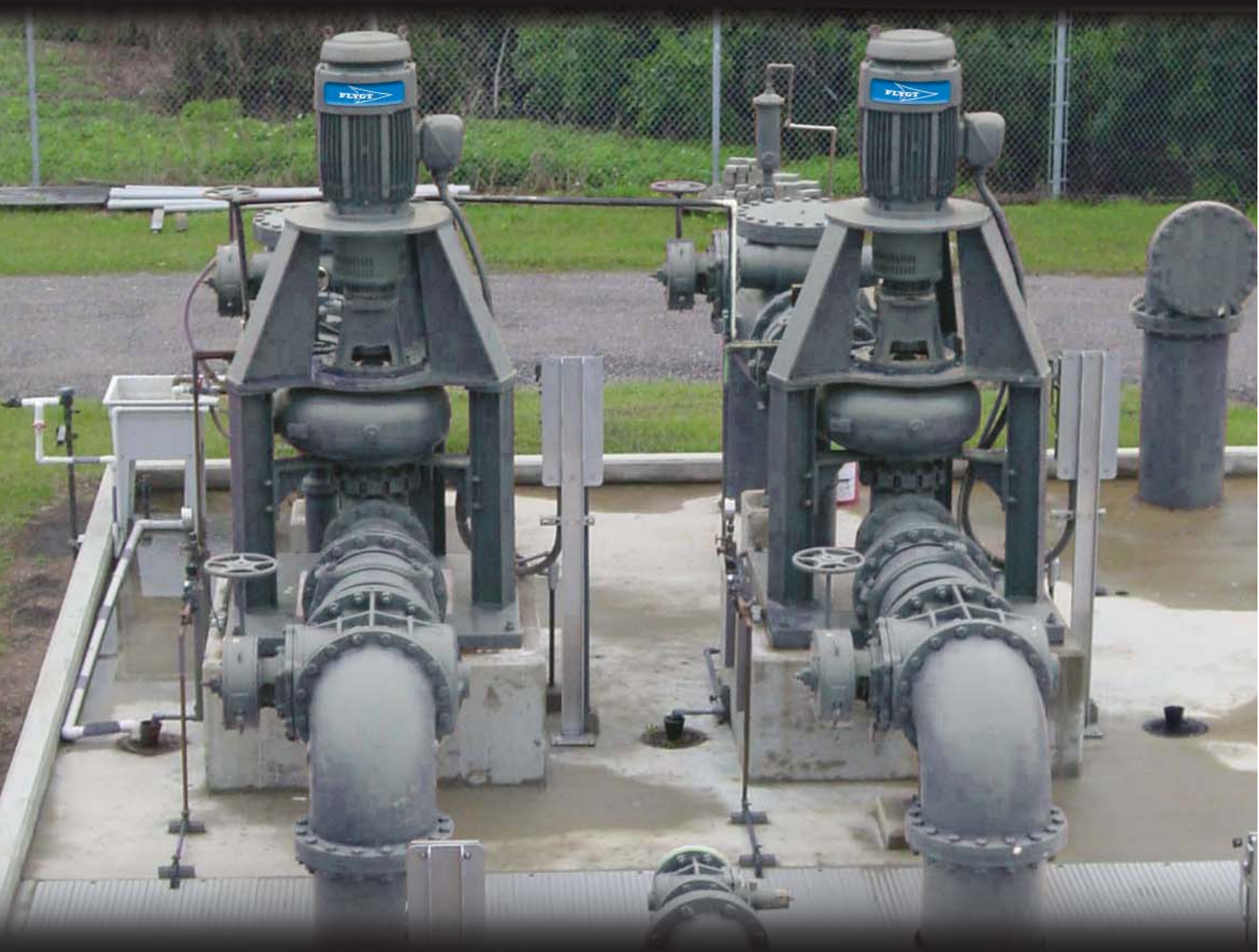


ITT

Water & Wastewater

# Flygt A-C Series NS PEG Mount

Vibration prevention solutions



*Engineered for life*

# Optimum weight distribution eliminates vibration

With the trend of municipal wastewater pumps utilizing variable speed drives, vibration has become an ever growing concern. The PEG Base is designed to distribute the motor weight directly to the foundation instead of passing the motor weight through the pump casing. This assures the casing natural frequency is unaffected by the weight of the motor and is outside of the operating range of your pump.

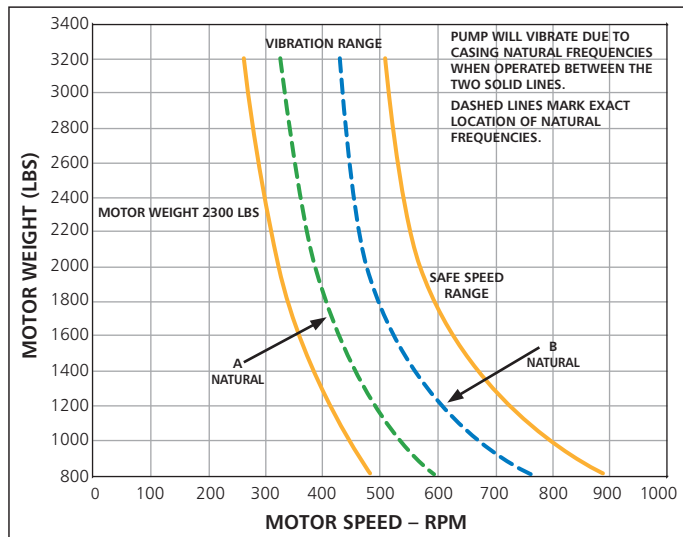
The chart shows the natural frequency of a typical NS pump in the pedestal configuration where the motor weight passes through the pump casing. The two dashed lines mark the casing natural frequencies in the A and B directions. When operating between the two solid lines, the pump is prone to vibration due to the casing natural frequency.

For variable speed applications, it is critical to examine performance over the entire operation range of the pump. With careful

examination of your operating conditions and the selection of the proper configuration, ITT can help ensure low vibration operation for your non-clog pump application.

## ALTERNATIVE MOUNTING OPTION

- Pump mounted vertically on fabricated Tri-Base mount
- Engineered independent motor support and concrete pier supports
- Rubber dampening washers reduce transmittal of vibration to foundation
- Eliminates natural frequencies encountered with direct coupled non-clog pumps
- Excellent for variable speed application

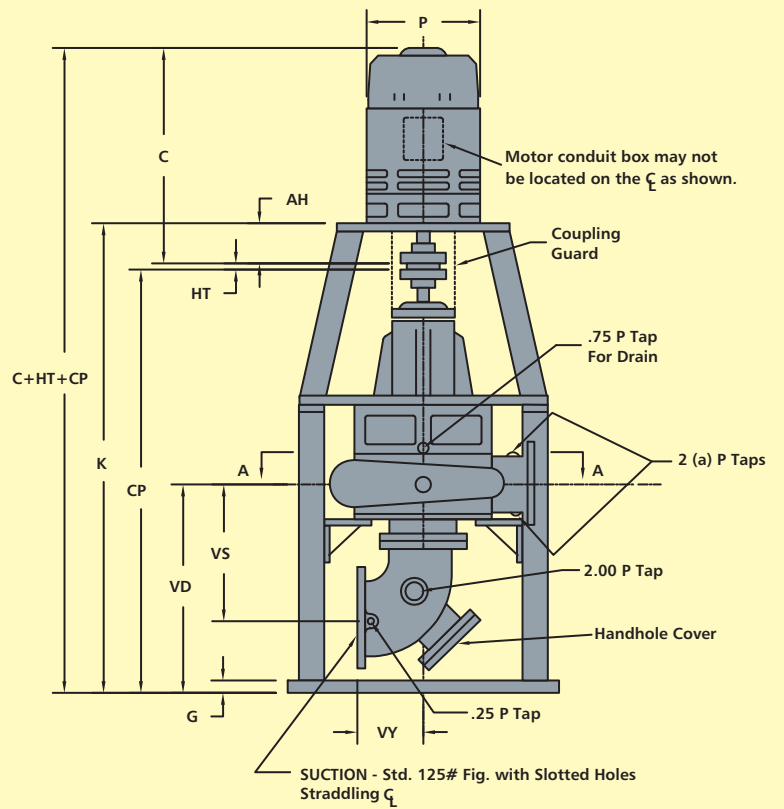
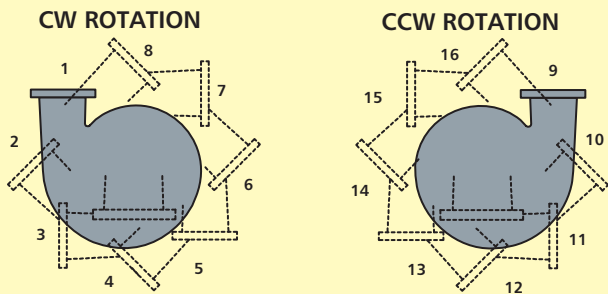
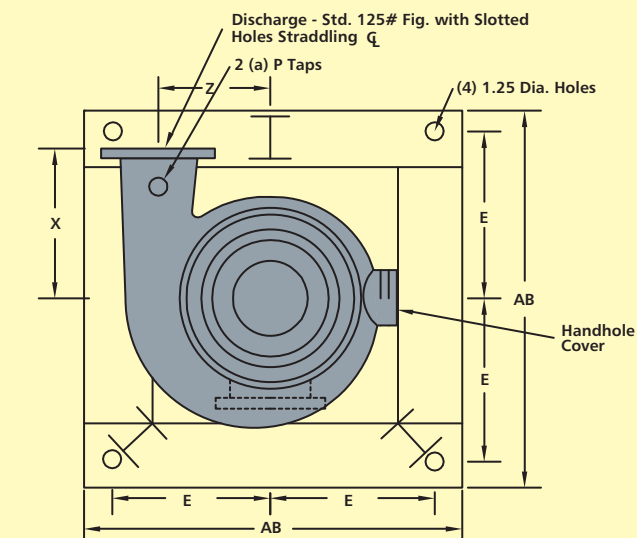


Vibration Avoidance Chart for 10x10x21 LC/SC NSWV



# NSWV Pump Dimensions

PUMP SIZE	SUCT	DISCH	AB	E	G	CP	VD	VS	VY	X	Z	K	PIPE TAPS
4x4x10 SC	4	4	38	17	2 5/16	47 3/16	26 1/2	26 1/2	12 5/16	6 1/2	9	7 1/4	53
4x4x10 LC	4	4	38	17	2 5/16	47 3/16	26 1/16	26 1/16	12 3/4	6 1/2	10	7 7/8	53
4x4x12 LC	4	4	38	17	2 5/16	47 3/16	26 1/16	26 1/16	12 3/4	6 1/2	12	9	53
5x5x12	5	5	38	17	2 5/16	47 3/16	26	26	14 3/4	7 1/2	13	9 1/2	53
6x6x12 SC	6	6	38	17	2 5/16	47 3/16	26	26	15 1/4	8	13	9 1/2	53
6x6x12 LC	6	6	38	17	2 5/16	48 1/16	25 1/8	25 1/8	15 1/4	8	13	9 1/2	53
6x4x14 LC	6	4	49	22 1/2	2 7/8	54 17/32	25 3/8	25 3/8	15 13/16	8	14 3/4	10 3/8	59 3/4
6x4x14 CV	6	4	49	22 1/2	2 7/8	54 17/32	25 3/8	25 3/8	15 13/16	8	14 3/4	10 3/8	59 3/4
6x6x14	6	6	49	22 1/2	2 7/8	61 17/32	31 13/16	31 13/16	16 3/8	8	17	12 3/16	66 3/4
8x8x14	8	8	49	22 1/2	2 7/8	61 17/32	31 13/16	31 13/16	18 1/8	9	18	18	66 3/4
5x5x17	5	5	54	25	2 7/8	65 7/8	32 1/2	32 1/2	15 1/2	7 1/2	16	11 1/2	71 1/8
6x6x17	6	5	25	2 7/8	65 7/8	32 7/16	32 7/16	16 3/8	8	17	12 3/16	71 1/8	
8x8x17 SC	8	8	54	25	2 7/8	65 7/8	31 13/16	31 13/16	18 1/8	9	18	18	71 1/8
8x8x17 LC	8	8	54	25	2 7/8	65 7/8	31 13/16	31 13/16	18 1/8	9	18	18	71 1/8
8x8x21	8	8	66	31	3	88 7/8	41 9/16	41 9/16	19 1/2	9	21	19 3/4	94 1/8
10x10x21 SC	10	10	66	31	3	68 7/8	41 1/16	41 1/16	22	11	24	17 13/16	94 1/8
10x10x21 LC	10	10	66	31	3	68 7/8	41 1/16	41 1/16	22	11	24	17 7/8	94 1/8
12X12X21	12	12	66	31	3	68 7/8	41 1/16	41 1/16	26 3/4	14	24	18 3/8	94 1/8





# ITT

## What can ITT Water & Wastewater do for you?

Integrated solutions for fluid handling are offered by ITT Water & Wastewater as a world leader in transport and treatment of wastewater. We provide a complete range of water, wastewater and drainage pumps, equipment for monitoring and control units for primary and secondary biological treatment, products for filtration and disinfection, and related services. ITT Water & Wastewater, headquartered in Sweden, operates in some 140 countries across the world, with plants in Europe, China and North and South America. The company is wholly owned by the ITT Corporation of White Plains, New York, supplier of advanced technology products and services.

To find ITT Water & Wastewater products near you please visit:

[www.us.ittwww.com](http://www.us.ittwww.com)



ITT Water & Wastewater  
35 Nutmeg Drive  
Trumbull, CT 06611-0943  
Tel 203-380-4700  
Fax 203-380-4705



ITT Water & Wastewater  
14125 S. Bridge Circle  
Charlotte, NC 28273  
Tel 704-716-7600  
Fax 704-716-7601



ITT Water & Wastewater  
227 S. Division Street  
Zelienople, PA 16063  
Tel 724-452-6300  
Fax 724-452-1377



**SANITAIRE®**

ITT Water & Wastewater  
9333 N. 49th Street  
Brown Deer, WI 53223-1472  
Tel 414-365-2200  
Fax 414-365-2210